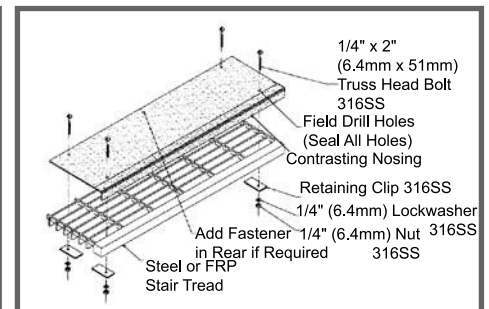
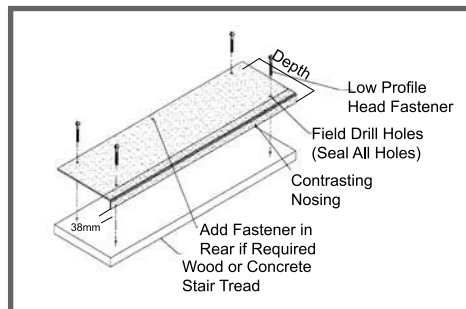
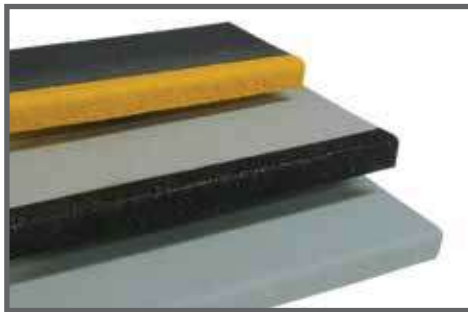


# Stair Solutions - Stair Tread Covers

## Fiberplate® Stair Tread Covers

Fiberplate® stair tread covers are a convenient way to provide solid, slip-resistant footing for existing treads that are still structurally sound. Stair tread covers may be installed over wood, concrete or metal steps. Standard colour is dark grey with a highly visible safety yellow nosing for industrial applications and light grey for architectural applications.

An integral aluminium oxide grit-top surface provides secure footing for maximum safety and a highly durable tread. Reinforced with a woven glass mat for durability and impact resistance, these tread covers come in 203mm, 229mm, 254mm, 279mm and 305mm depths. The standard thickness is 3.2mm with 6.4mm thick covers available for heavy duty applications. Standard 3.7m panels are easily cut to size during installation, or are available pre-cut to custom lengths.



## Phosphorescent Nosing

Fiberplate stair tread covers can be ordered with a special phosphorescent coating for the nosing area, causing it to glow even after the primary light source has been removed. The special nosing is perfect in stairways which serve as emergency exits during power outages, outdoor access ways where lighting is periodically dimmed as in arenas and concert halls, or as a safety measure for nighttime operation in outdoor applications such as on passenger ships. This special nosing has been tested in accordance with ISO/TC 8/SC 1 N. Ships and Marine Technology — Low Location Lighting on Passenger Ships. The standard colour for tread covers with phosphorescent coating is yellow.

Fiberplate stair tread covers were used over existing aluminium stairs at a UPS facility in Dallas, Texas. The original stairs were worn and unsafe. In addition, the stairway was not well-lit, making it potentially hazardous when used by workers at night. The grit-top surface of Fiberplate tread covers provided slip resistance and the yellow nosing on the treads made them more visible at night, making it safe for workers.



Before



After